

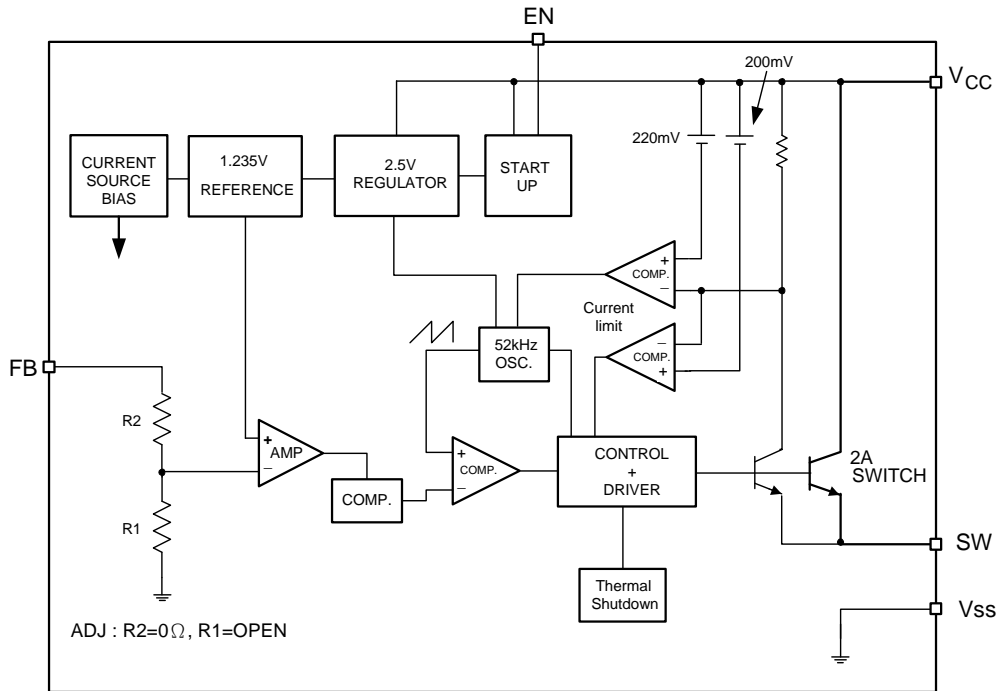
52KHz, 2A PWM Buck DC/DC Converter

❖ GENERAL DESCRIPTION

❖ FEATURES

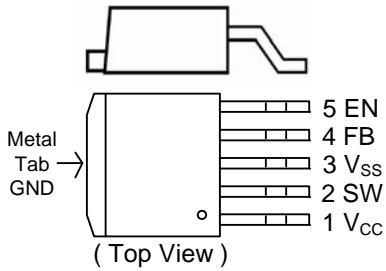
-
-
-
-
-
-
-
-
-
-
-
-
-
-
-

❖ BLOCK DIAGRAM



❖ PIN ASSIGNMENT

TO263-5L (Side View)



Name	Description
V _{CC}	
SW	
V _{SS}	
FB	
EN	

❖ ORDER INFORMATION

Order Information	
AX3161- <u>XX</u> <u>XX</u> <u>X</u> Output Voltage Package Type Packing 50: 5.0V M5: TO263-5L Blank : Tube Blank:ADJ A : Taping	
Top Marking	
Logo ← AX 3 1 6 1 → Part number YYWWX → ID code:internal → WW:01~52 → Year: 10=2010 11=2011	Logo ← AX 3 1 6 1 → Part number - 5 0 → Output voltage YYWWX → ID code:internal → WW:01~52 → Year: 10=2010 11=2011

❖ ABSOLUTE MAXIMUM RATINGS

Characteristics	Symbol	Rating	Unit

❖ ELECTRICAL CHARACTERISTICS

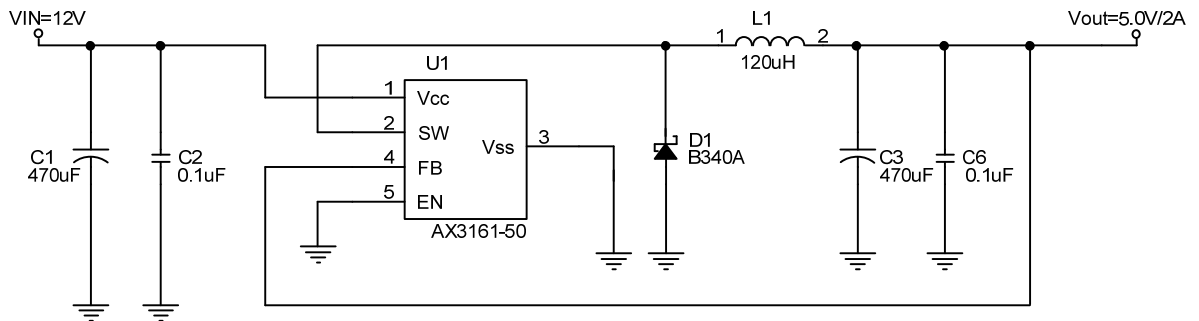
Characteristics	Symbol	Conditions	Min	Typ	Max	Units
△	△					

❖ ELECTRICAL CHARACTERISTICS (CONTINUED)

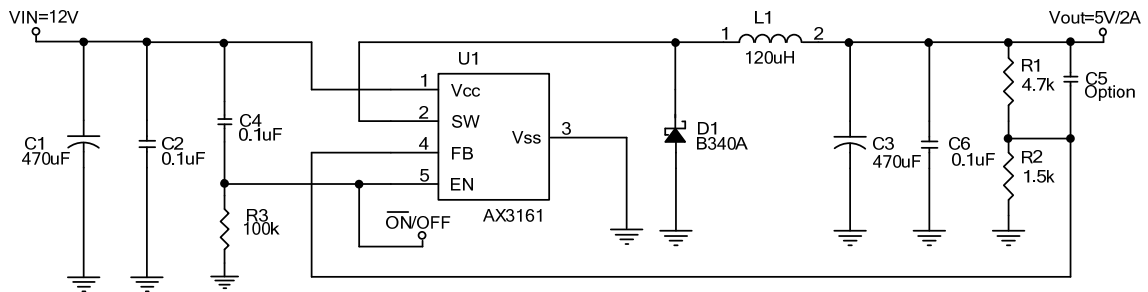
Version	Characteristics	Symbol	Conditions	Min	Typ	Max	Units
		η					
		η					

❖ APPLICATION CIRCUIT

(1) Fixed Output Voltage Versions



(2) Adjustable Output Voltage Version with Delayed Startup



x —

❖ FUNCTION DESCRIPTION

Pin Functions

V_{CC}

V_{SS}

SW

Feedback

1

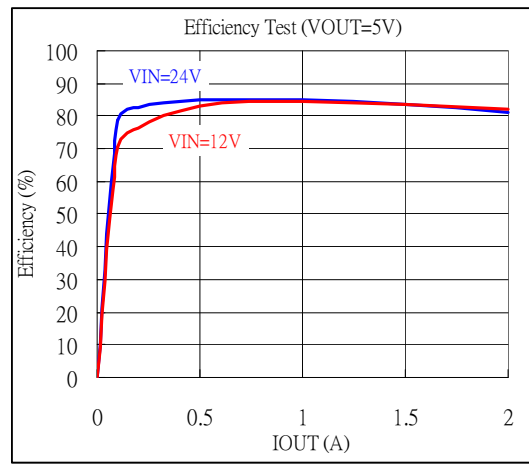
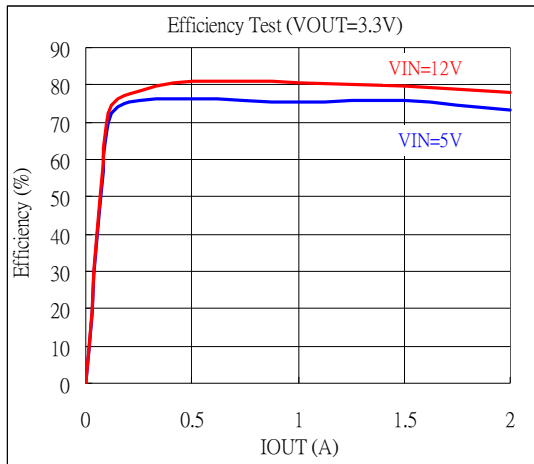
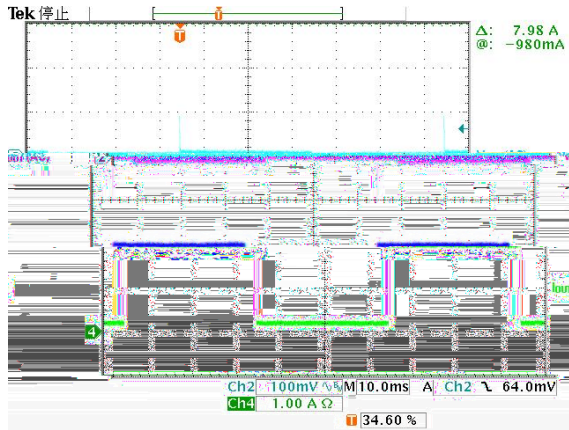
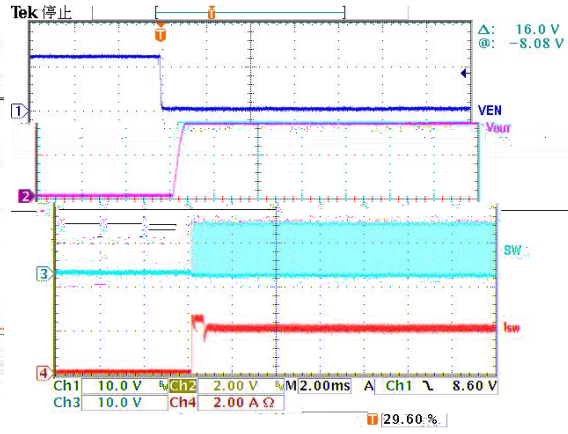
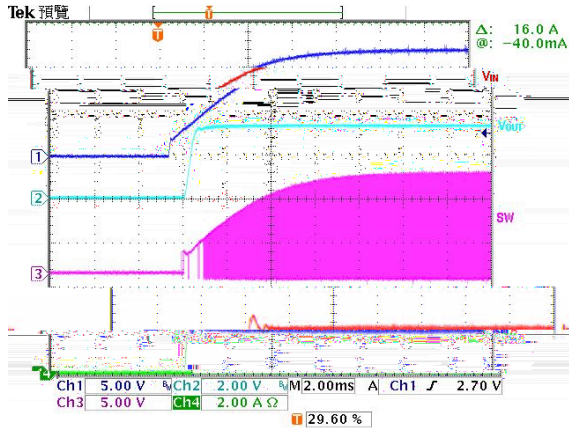
EN

Output Capacitor Selection

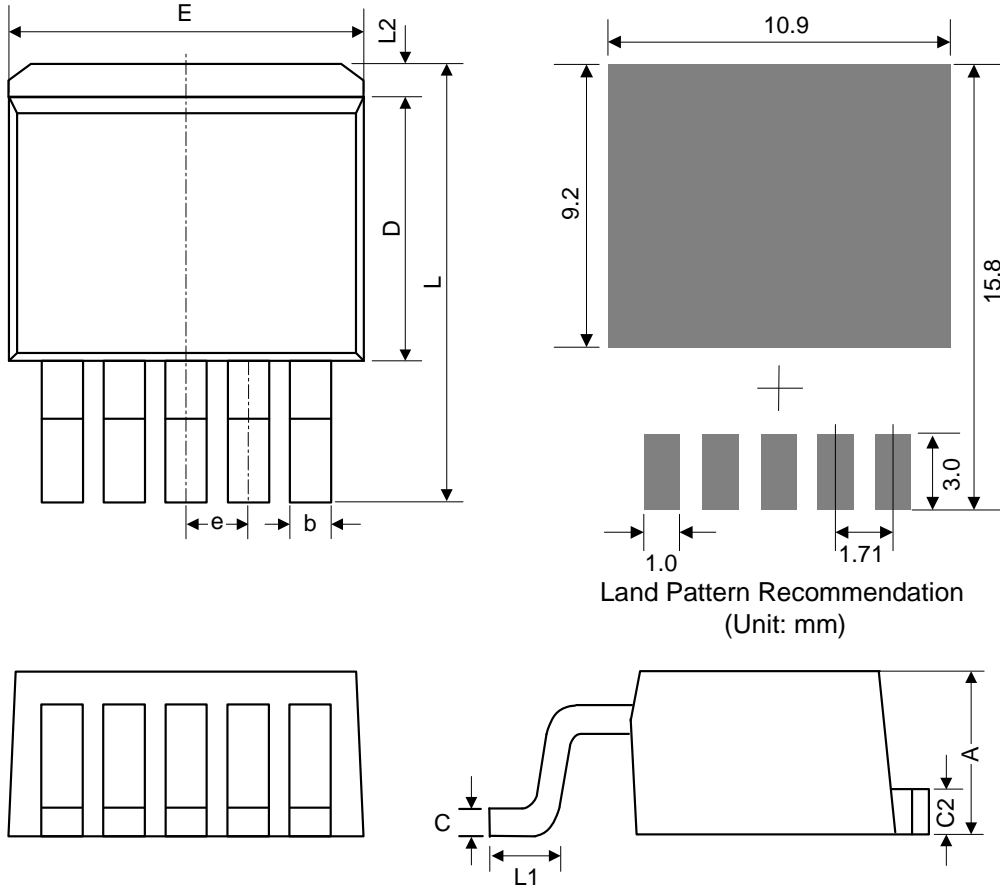
$$V_{RIPPLE} = \Delta I_L \times ESR$$

Thermal Considerations

❖ TYPICAL CHARACTERISTICS



❖ PACKAGE OUTLINES



Symbol	Dimensions in Millimeters			Dimensions in Inches		
	Min.	Nom.	Max.	Min.	Nom.	Max.